

# WINE MASTER

le temps d'être différent

## DESIGN, SILENCE AND SAVINGS

The Wine C25 model belongs to our family of inbuilt solutions. It is installed in an outer partition wall and will turn any properly insulated room into a real wine cellar. In addition to its totally innovative design, the product is endowed with high-performance technological equipment that ensures quietness and significant energy savings.

WINE CELLAR AIR CONDITIONER



# WINE C25 X

/ C25 SX  
/ C25 SRX

BUILT-IN PRODUCTS



25 m<sup>3</sup>

Air-conditioning up to 25m<sup>3</sup>



8-18°C

High performance integrated thermostat



Quiet



Respectful of the environment



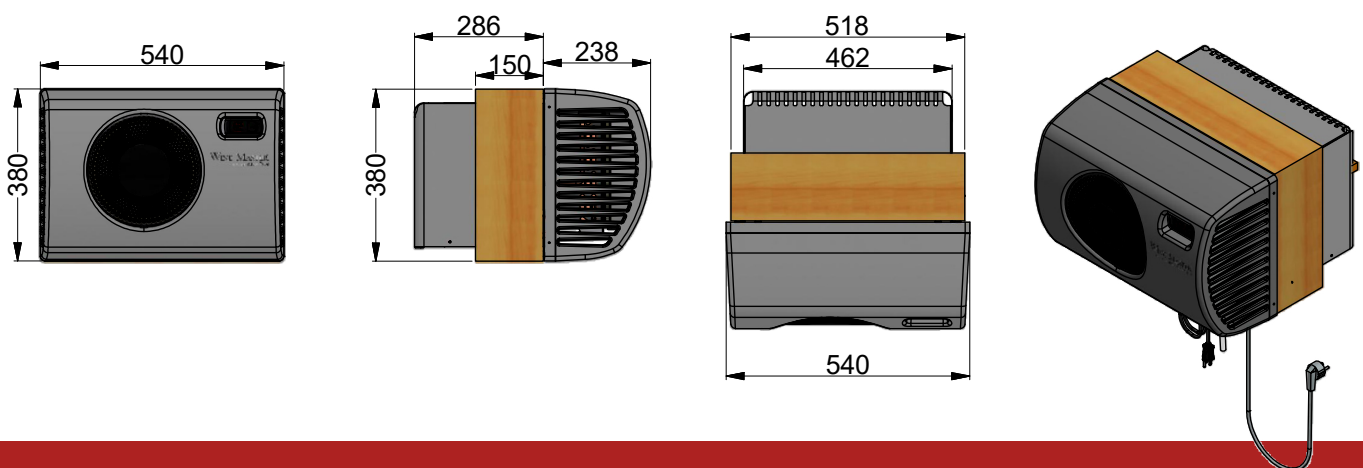
Ideal climate conditions for the preservation of your wine



# WINE C25 X / C25 SX / C25 SRX

## SILENT, EFFECTIVE AND ECONOMICAL

- Keeps cellars at a constant temperature of between 8 and 18 °C\*
- Humidity control : excess humidity is condensed and evacuated towards the outside
- Rubber shock absorbers are incorporated, creating an anti-vibration system
- Dimensions that make the product able to adapt to different rooms (store room, attic...)
- Controlled power consumption thanks to the reaction turbine on the condenser side
- Reheating feature for the Wine C25 SX and Wine C25 SRX models
- The Wine C25 SRX model is equipped with a heating belt that provides protection in the event of difficult weather conditions (such as winter)
- Easy to install, provided with a wooden frame
- Easy upkeep: just a filter that needs to be changed once a year
- 2 year warranty





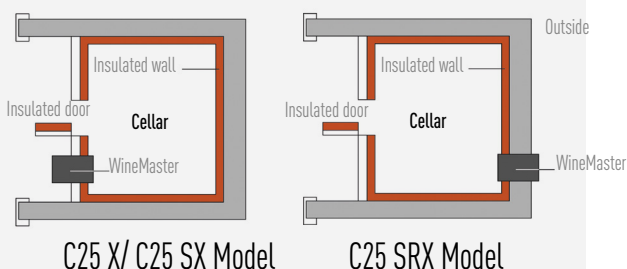
## ALWAYS QUIETER ALWAYS MORE SAVINGS

In addition to its innovative design, the WineMaster® C25 X/ SX / SRX air conditioner is equipped with high performance technology that is quiet and ensures significant energy savings (up to 30% less consumption compared to standard air conditioners).

### THE ADVANTAGES OF THE WINE C25 AIR CONDITIONER

- The front-facing side has a textured look with silkscreen printing for a more upscale effect
- 2 rotation speed settings for the cellar-side fan
- The fan is equipped with «Energy Saver Motor» technology
- Operates silently thanks to the use of new materials

#### BUILT-IN WINEMASTER®



REFERENCE	WINE C25 X	WINE C25 SX	WINE C25 SRX
Electrical supply	230-240 V - 50Hz	230-240 V - 50Hz	230-240 V - 50Hz
Air conditioning capacity*	Up to 25 m <sup>3</sup> *	Up to 25 m <sup>3</sup> *	Up to 25 m <sup>3</sup> *
Overall dimensions	H.380 x W.540 x D.524 mm	H.380 x W.540 x D.524 mm	H.380 x W.540 x D.524 mm
Weight	27 Kg	27 Kg	27 Kg
Cooling capacity**	550 W at 15°C	550 W at 15°C	550 W at 15°C
Electrical power absorbed	400 W	400 W	400 W
Sound level (at 1 m and 3 m)	45 dB / 40 dB	45 dB / 40 dB	45 dB / 40 dB
Cellar airflow rate (cold side)	96 to 198 m <sup>3</sup> /h	96 to 198 m <sup>3</sup> /h	96 to 198 m <sup>3</sup> /h
Outside airflow rate (hot side)	179 m <sup>3</sup> /h	179 m <sup>3</sup> /h	179 m <sup>3</sup> /h
Coolant	R290	R290	R290
Heat resistance	-	250 W	250 W
Temperature regulation*	Preset to 12 °C adjustable between 8 and 18 °C*	Preset to 12 °C adjustable between 8 and 18 °C*	Preset to 12 °C adjustable between 8 and 18 °C*
Maximum outside temperature**	35°C	35°C	35°C
Heating belt	NO	NO	YES

\* With right insulation and adapted to the volume of the cellar.

\*\* The power could be reduced in function of outside temperature, its why the device may lose capacity to keep the cellar at 12 °C if the outside temperature gets close to 35 °C.

## DISCOVER OUR OTHER SPECIAL PRODUCTS : HYGROMASTER® & WINEMASTER® CELLAR DOOR

### HYGROMASTER®

On the wall, on the ground, or on a stable shelf, Hygromaster® is very easy to install. You can simply connect it to the water tank that comes with it. This reservoir kit supplies the Hygromaster® with demineralized water. You can regulate the level of humidity to ensure it is appropriate for your wine cellar.



### WINEMASTER® CELLAR DOOR

The WineMaster® cellar door guarantees the optimal insulation of your wine cellar, a real asset to some of our WineMaster® air conditioners. It is very easy to install with only 7 fixing points for mounting the set and two possible opening versions (right or left).



# A STORY OF LOVE AND TERROIR...

It is in the foothills of the Alsatian vineyards, where the wine route starts, that the WineMaster® story begins. Our attachment to terroir and our love of wine have always been the source of our thought process and creativity.

Ever since its inception in 1984, the skills and know-how of the men and women of WineMaster® have been at the heart of every step in the air conditioner making process.

Quality and detail are what motivate us, and we are proud of our products and their 100 % Alsatian design.

“ INNOVATION AND EXCELLENCE ARE  
WINEMASTER'S KEY VALUES. ”



**WINEMASTER**  
— le temps d'être différent

Z.I. VIEUX-THANN ■ 18 RUE GUY DE PLACE  
BP 60010 ■ F68801 THANN CEDEX  
Tél : +33 (0) 389 377 515 ■ E-mail : [contact@winemaster.fr](mailto:contact@winemaster.fr)  
[www.winemaster.fr](http://www.winemaster.fr)